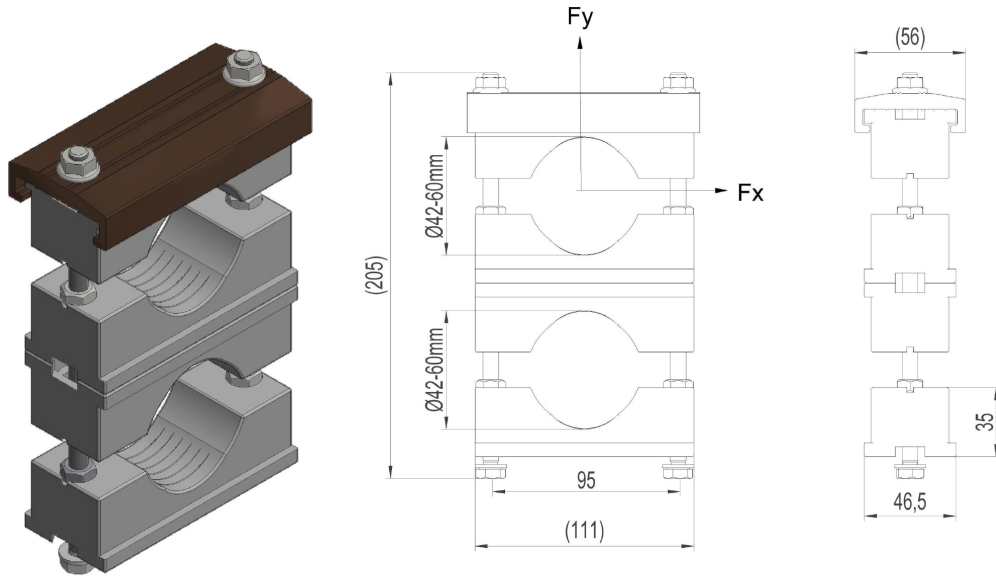


2857807 - Cable clamp KSF2142



Description	Cable clamp 2-cable Ø42-60mm. Reinforced version. Delievered with fasteners M8
Unit	PSC
Weight	0,632 kg
Material	Polyethylene
Material-2	Aluminium, anodised-brown
Number of cables	2pcs
Suitable for cable diameter	Ø42-60mm
Breaking load (static)	Fy=45kN / Fx=10kN