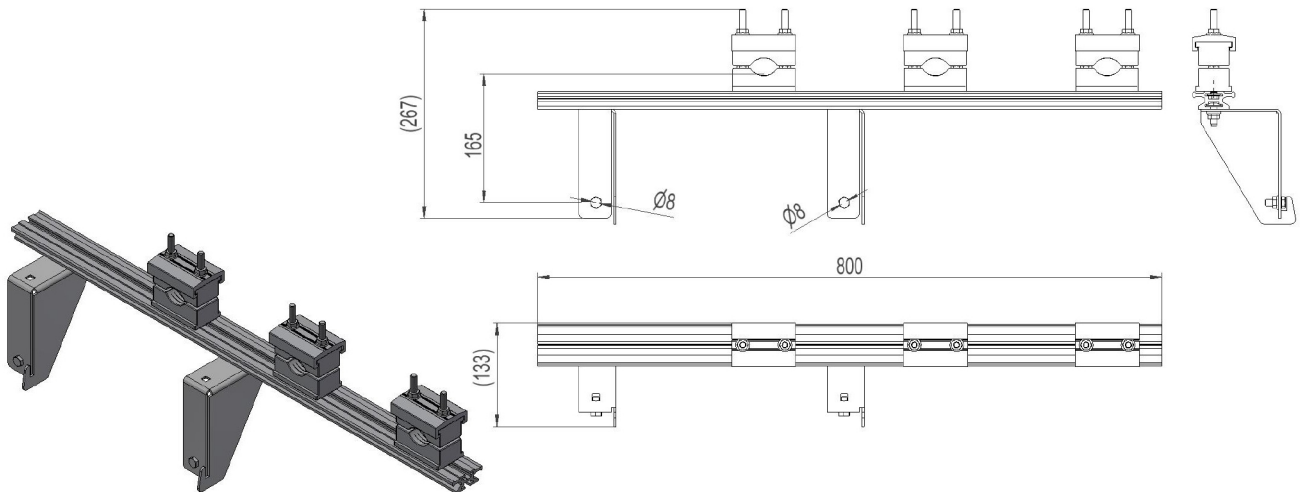


2857811 - Transformer cable bracket KFT-3-1-22



Description	Cable fastening bracket for mounting onto transformer lid. Comes with mounting brackets and an 800mm long aluminium rail. Includes three KSF122 cableclamps for Ø22-42mm.
Unit	PSC
Weight	4,35 kg
Material	Steel, stainless 316
Material-2	Aluminium
Number of cables	3pcs
Suitable for cable diameter	Ø22-42mm