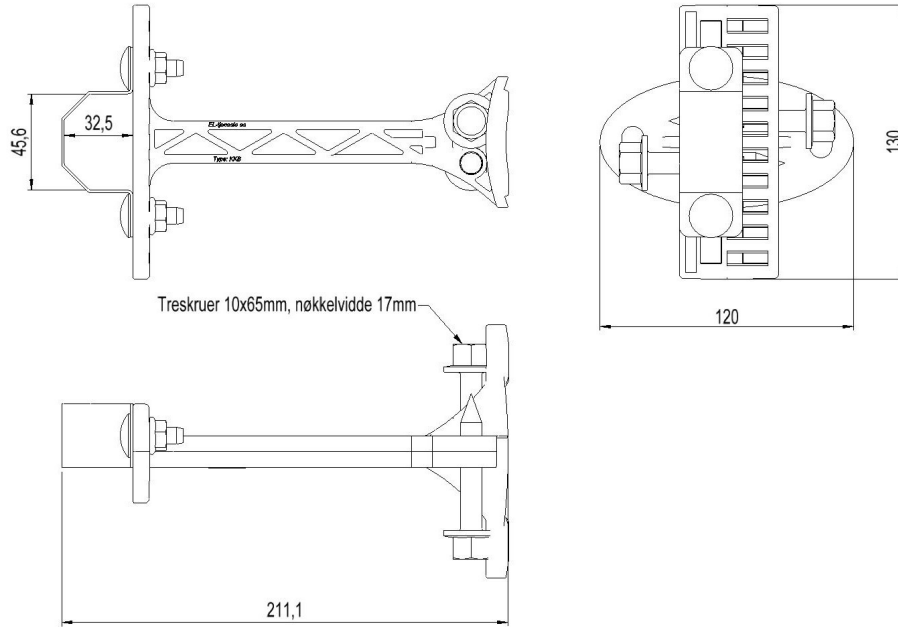


2857817 - Distance holder KKBSA35V



Description	Distance holder for cable duct Ø35mm. Color galvanized and black.
Unit	PSC
Weight	0,4 kg
Material	Steel galvanized
Material-2	Polyethylene