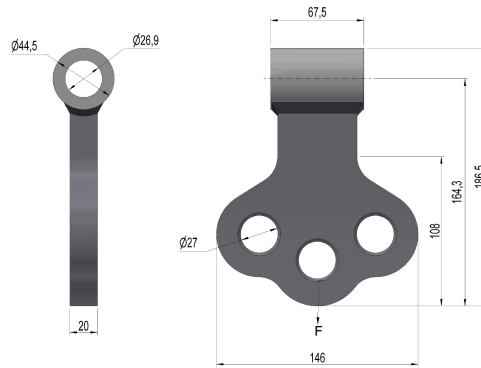


## 2857845 - Flag F65-20-3



|                        |  |
|------------------------|--|
| Description            | Flag with 3 holes<br>Accessories for phase/wire brackets |
| Unit                   | PSC  |
| Weight                 | 2,3 kg   |
| Material               | Steel galvanised   |
| Breaking load (static) | 200kN  |
| Hardness               | 170HB  |