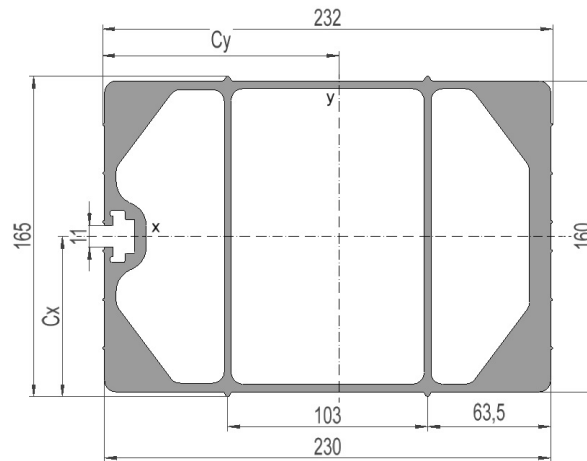


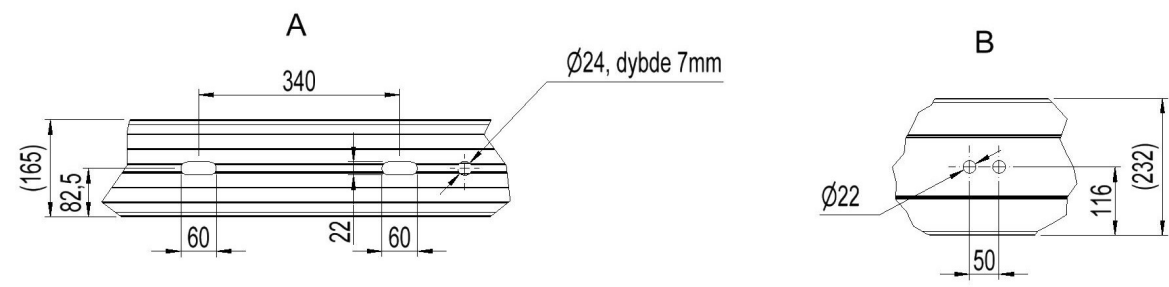
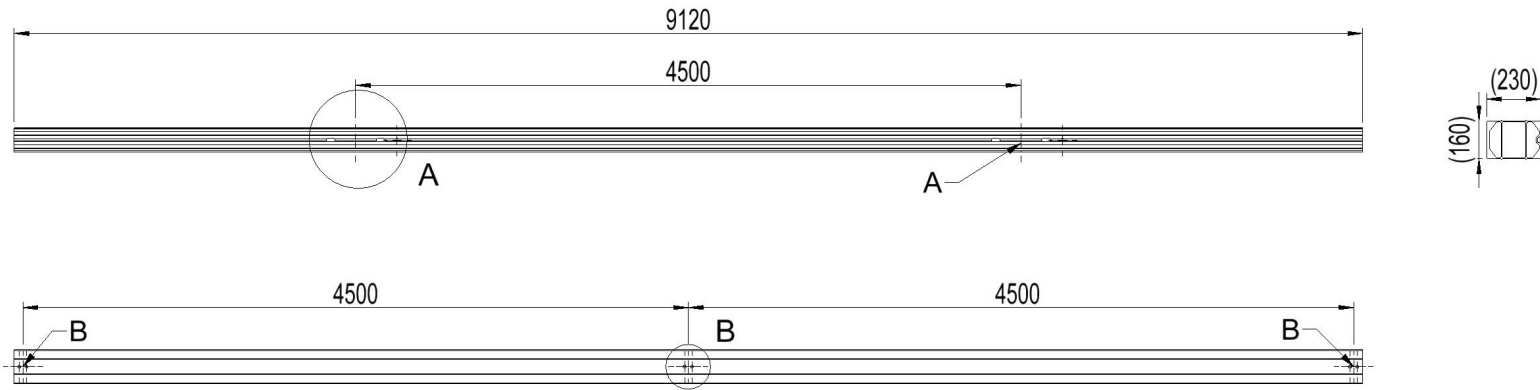
2857854 - Anch. crossbar TA4545-34-7S

Cross arm type	H/A-pole
Pole distance	4,5m
Phase distance	4,5m
Pole fastening	340mm-single pole clamp

Crossbar profile P7 (laying)

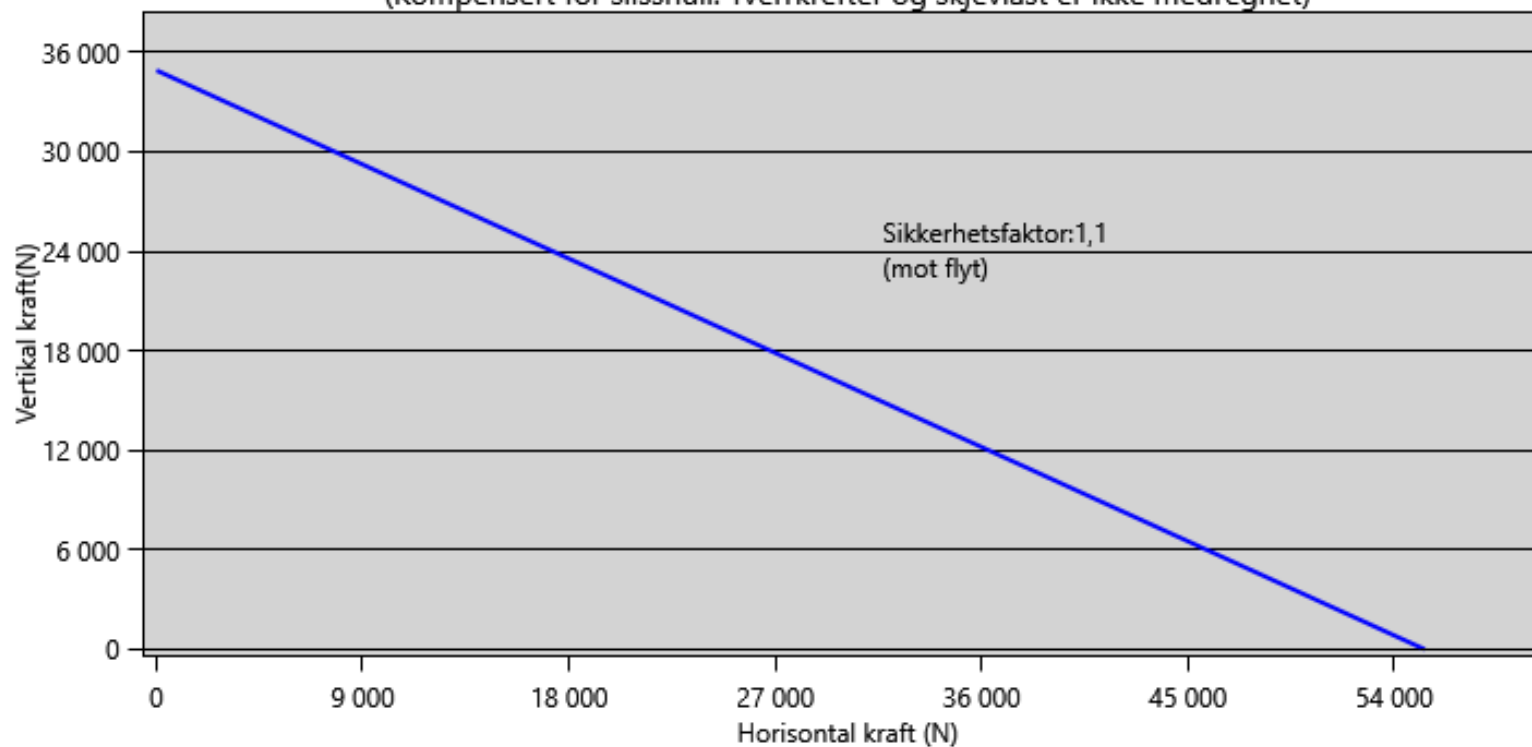
Weight: (kg/m)	22.225
Cross section: (mm ²)	8243
Material:	Extruded aluminum, brown anodized
Alloy:	AlMgSi 6082-T6
Moment of resistance: (mm ³)	W _x = 345 747 W _y = 550 278
Area moment of inertia: (mm ⁴)	I _x = 28 524 112 I _y = 67 111 384
Center distance for I _x : (mm)	C _x = 82,50
Center distance for I _y : (mm)	C _y = 121,96
Minimum yield strength 0,2: (N/mm ²)	250
Minimum breaking load: (N/mm ²)	290





Lastdiagram m.h.p flytegrense

(Kompensert for slisshull. Tverrkrefter og skjevlast er ikke medregnet)



Total nedbøyning travers i forhold til last

