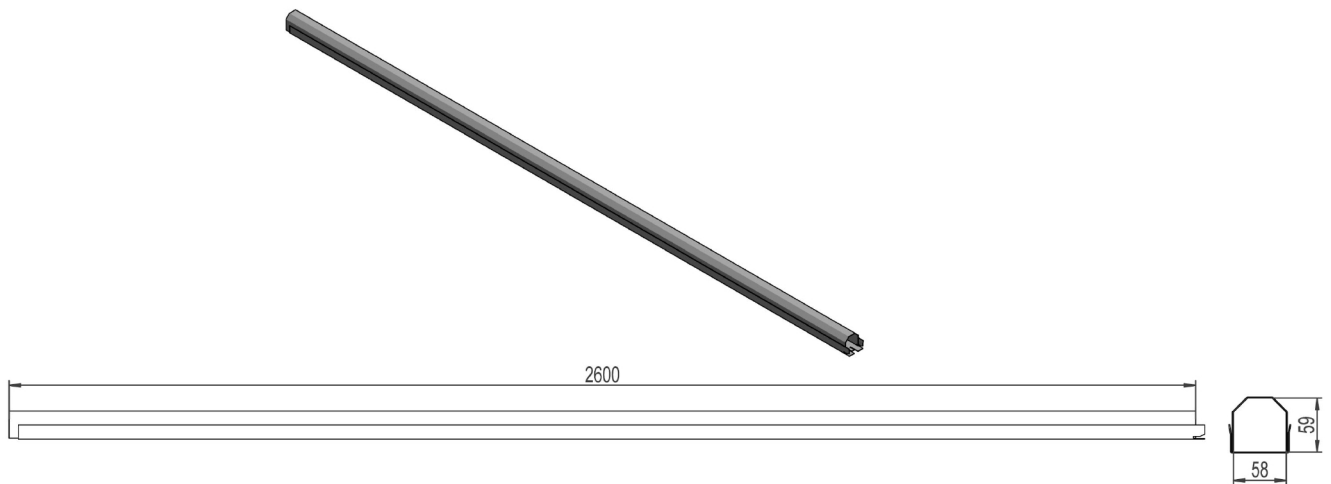


2857963 - Cable guard KAN52



Description	Cable guard with back cover. Ø58mm, length 2,6m. Can be mounted on wall or pole with distance brackets.
Unit	PSC
Weight	6,3 kg
Material	Steel galvanised/plastic-brown
Number of cables	1psc