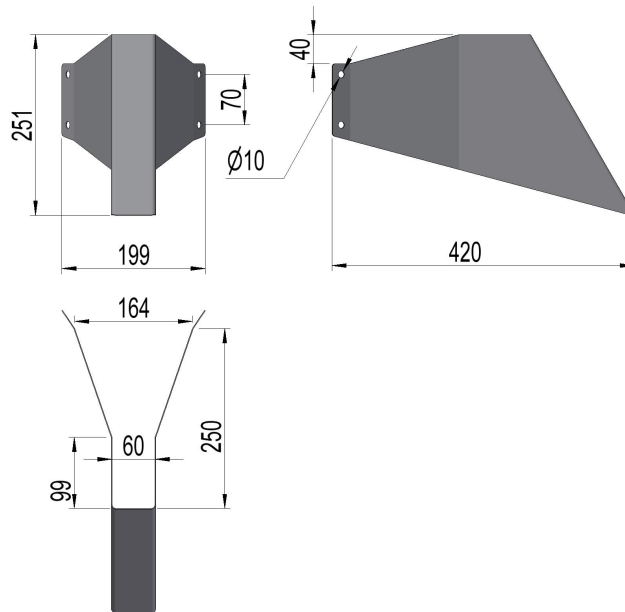


2857974 - Ground protection BKN45



Description	Ground protection. B=60mm. Fastening screws included
Unit	PSC
Weight	1,3 kg
Material	Steel galvanised/plastic-brown