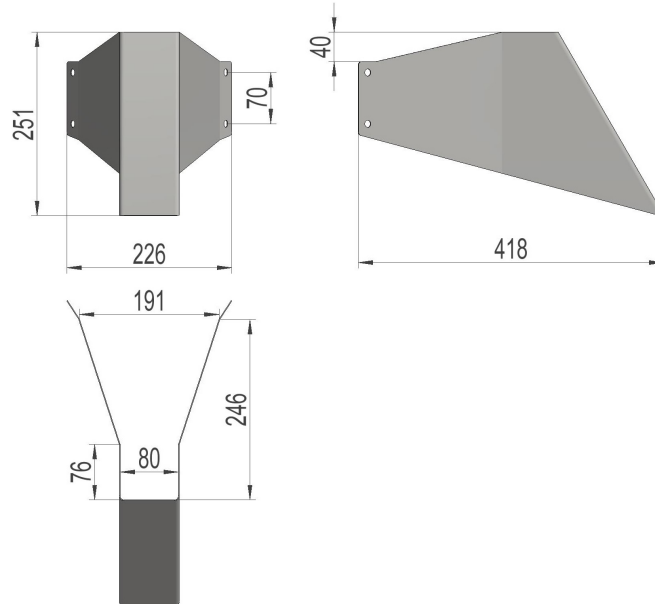


## 2857975 - Ground protection BKN65



Description	Ground protection. B=80mm. Fastening screws included.
Unit	PSC
Weight	1,4 kg
Material	Steel galvanised/plastic-brown