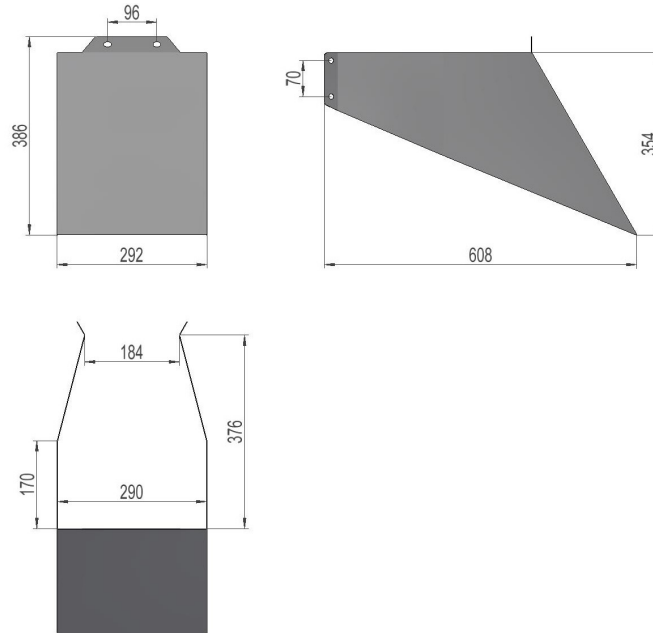


2857980 - Ground protection BKN29



Description	Ground protection. B=288mm. Fastening screws included.
Unit	PSC
Weight	3,1 kg
Material	Steel galvanised/plastic-brown