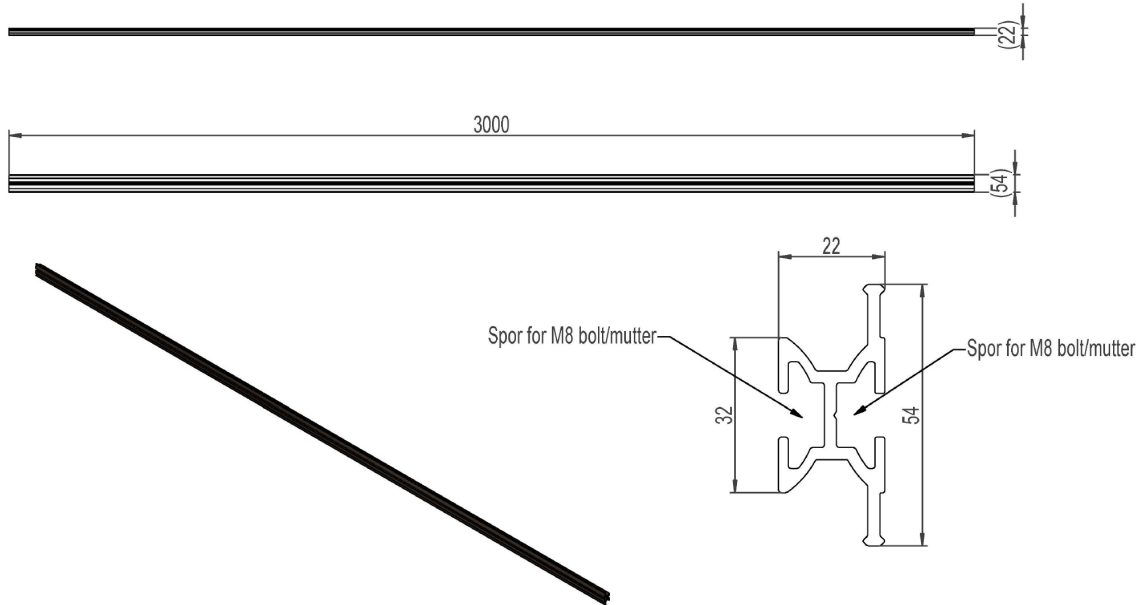


2857999 - Al-bar S300



Description	Aluminium bar for cable duct. L=3m. For M8 bolts.
Unit	PSC
Weight	2,5 kg
Material	Aluminium, anodised-brown