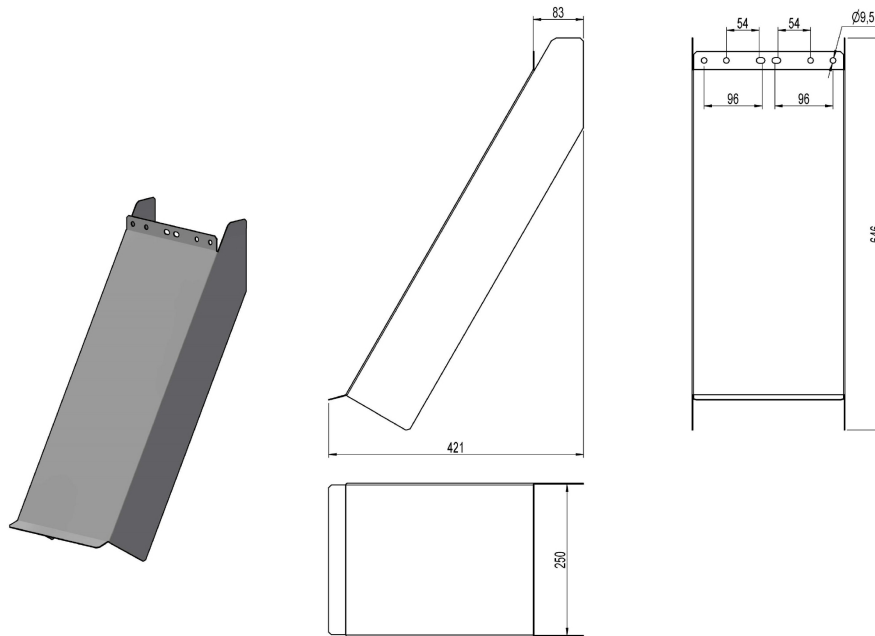


2859327 - Ground protection BKF250



Description	Ground protection. B=250mm. Flexible.
Unit	PSC
Weight	2,7 kg
Material	Steel galvanised/plastic-brown