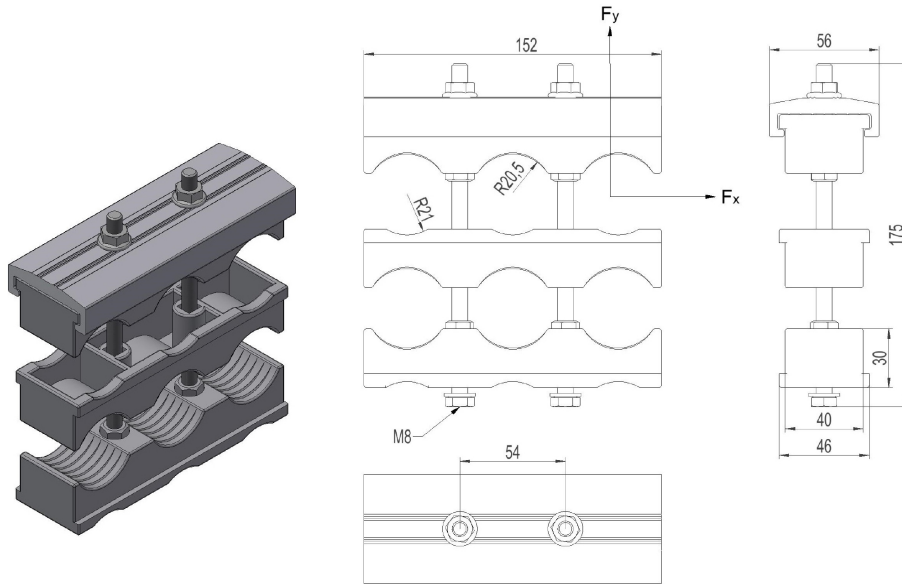


2859333 - Cable clamp KSF617



Description	Cable clamp 6-cables Ø22-42mm. Reinforced version. Delievered with fasteners.
Unit	PSC
Weight	0,535 kg
Material	Polyethylene
Material-2	Aluminium, anodised-brown
Number of cables	6psc
Suitable for cable diameter	Ø17-42mm
Breaking load (static)	Fy=15kN / Fx=4,1kN