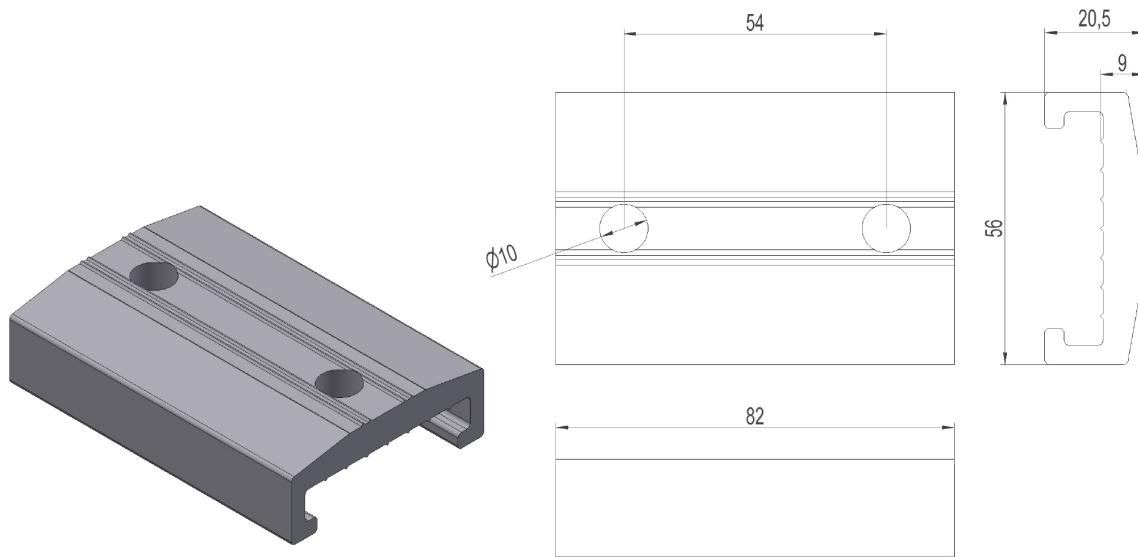


2859340 - Cable clamp rail SF122



Description	Reinforcing rail for cable clamp K122.
Unit	PSC
Weight	0,06 kg
Material	Aluminium, anodised-brown