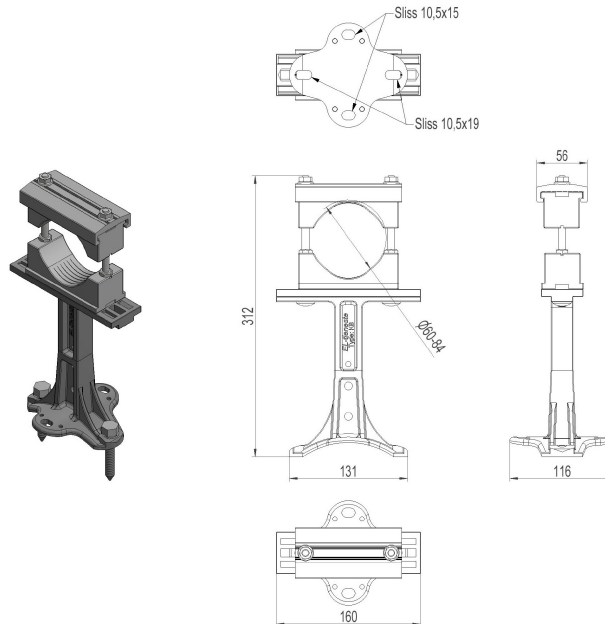


2859346 - Cable bracket KKLF160



Description	With 1 cable clamp Ø60-84mm. Reinforced version. With wood screws.
Unit	PSC
Weight	0,7 kg
Material	Polyethylene
Material-2	Aluminium, anodised-brown
Number of cables	1psc
Suitable for cable diameter	Ø60-84mm