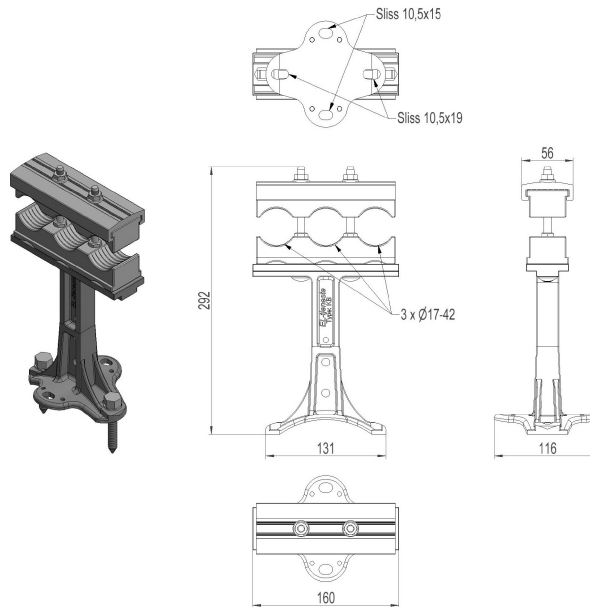


## 2859347 - Cable bracket KKLF317



Description	With 3 cable clamps Ø17-42mm. Reinforced version. With wood screws.
Unit	PSC
Weight	0,8 kg
Material	Polyethylene
Material-2	Aluminium, anodised-brown
Number of cables	3pcs
Suitable for cable diameter	Ø17-42mm