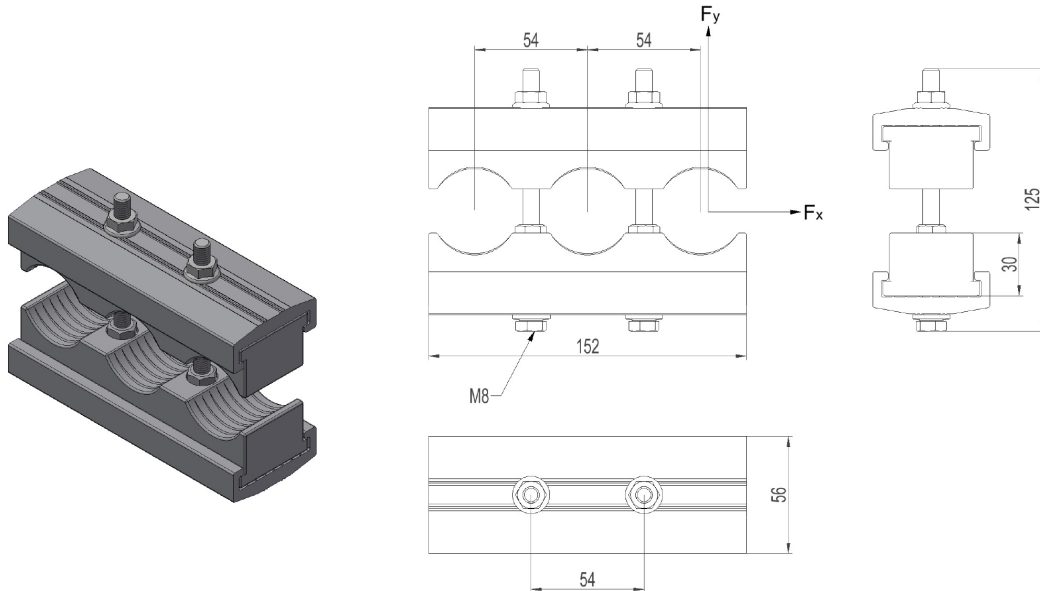


2859356 - Cable clamp KSFF317



Description	Cable clamp 3-cables Ø17-42mm. Reinforced on both sides. Delievered with fasteners.
Unit	PSC
Weight	0,7 kg
Material	Polyethylene
Material-2	Aluminium, anodised-brown
Number of cables	3pcs
Suitable for cable diameter	Ø17-42mm
Breaking load (static)	Fy=15kN / Fx=6kN