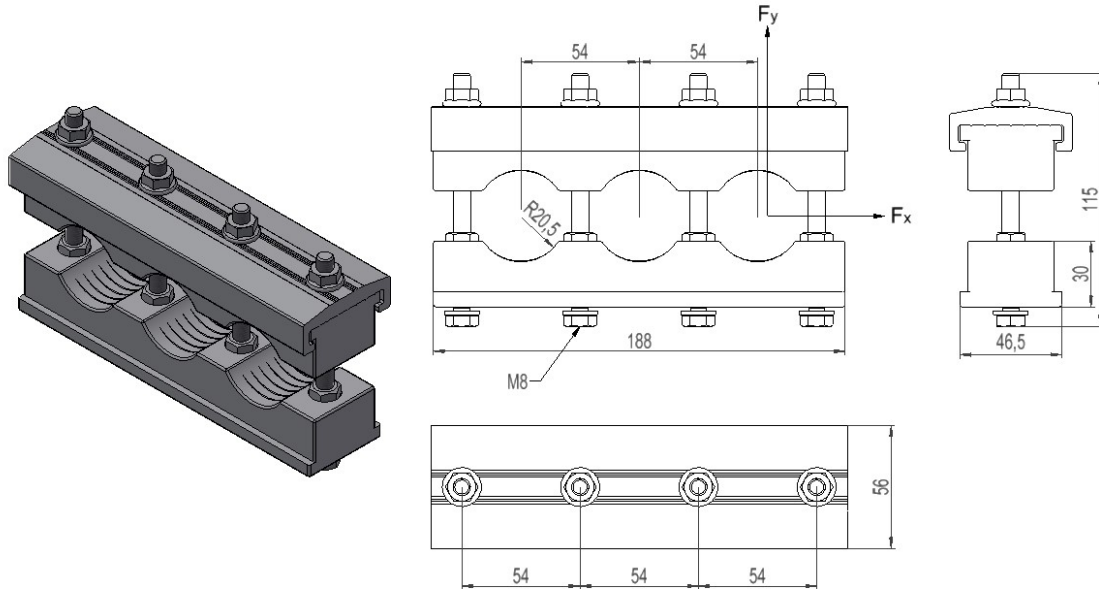


## 2859357 - Cable clamp KSF322



Description	Cable clamp 3-cables Ø22-42mm. Reinforced version for 4 fasteners. Delivered with fasteners.
Unit	PSC
Weight	0,651 kg
Material	Polyethylene
Material-2	Aluminium, anodised-brown
Number of cables	3pcs
Suitable for cable diameter	Ø22-42mm
Breaking load (static)	Fy=55kN / Fx=30kN