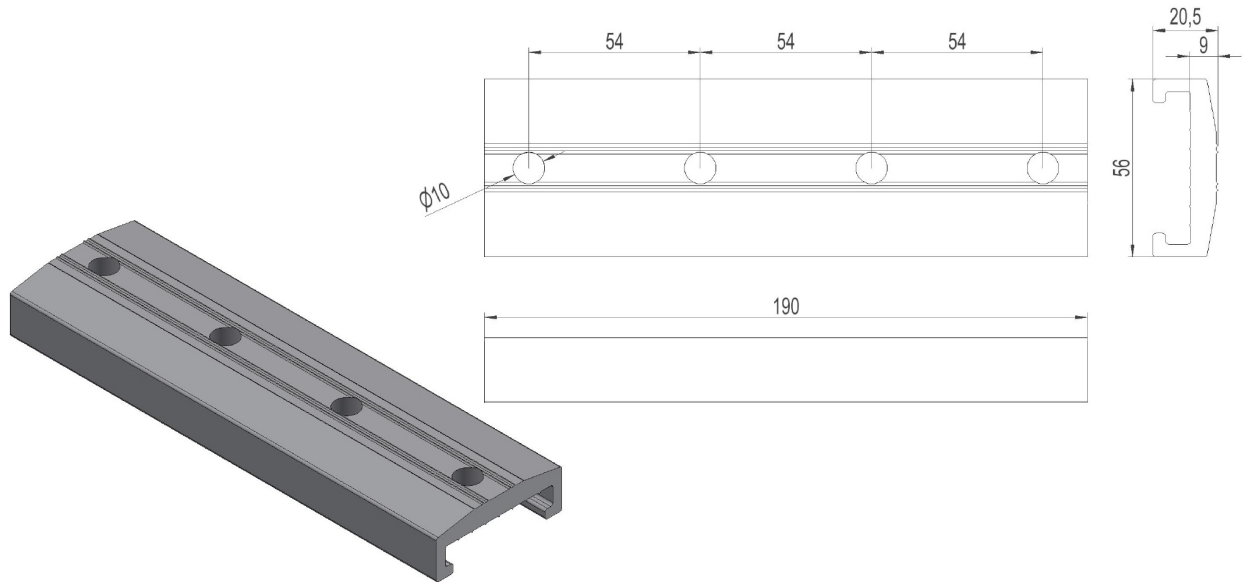


2859359 - Cable clamp rail SF322



Description	Reinforcing rail for cable clamp K322.
Unit	PSC
Weight	0,263 kg
Material	Aluminium, anodised-brown
Number of cables	3pcs
Suitable for cable diameter	Ø22-42mm