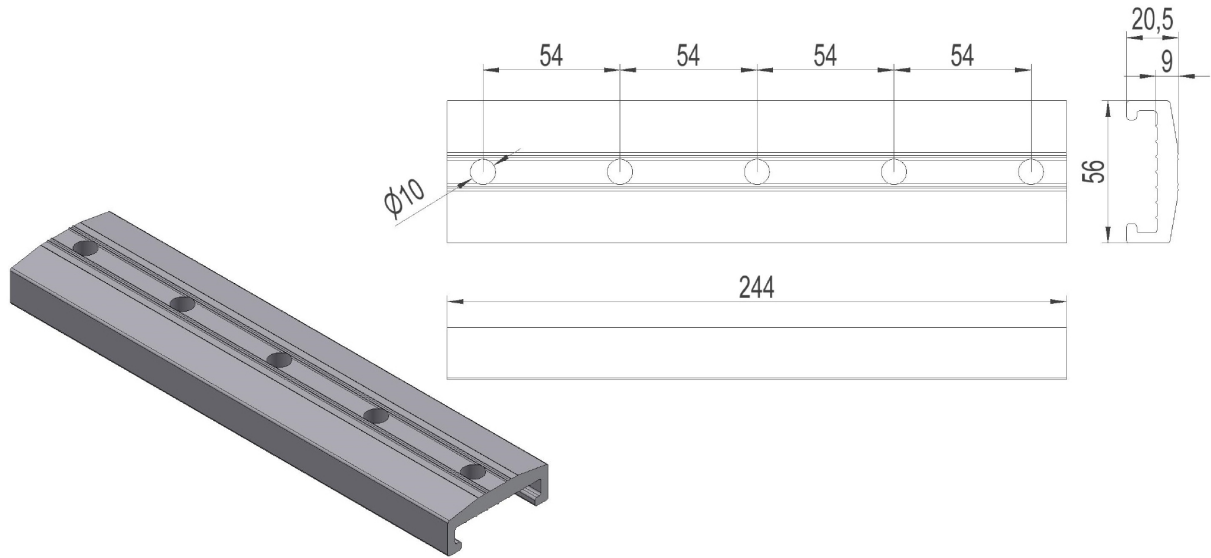


2859360 - Cable clamp rail SF422



Description	Reinforcing rail for cable clamp K422.
Unit	PSC
Weight	0,338 kg
Material	Aluminium, anodised-brown
Number of cables	4psc
Suitable for cable diameter	Ø22-42mm