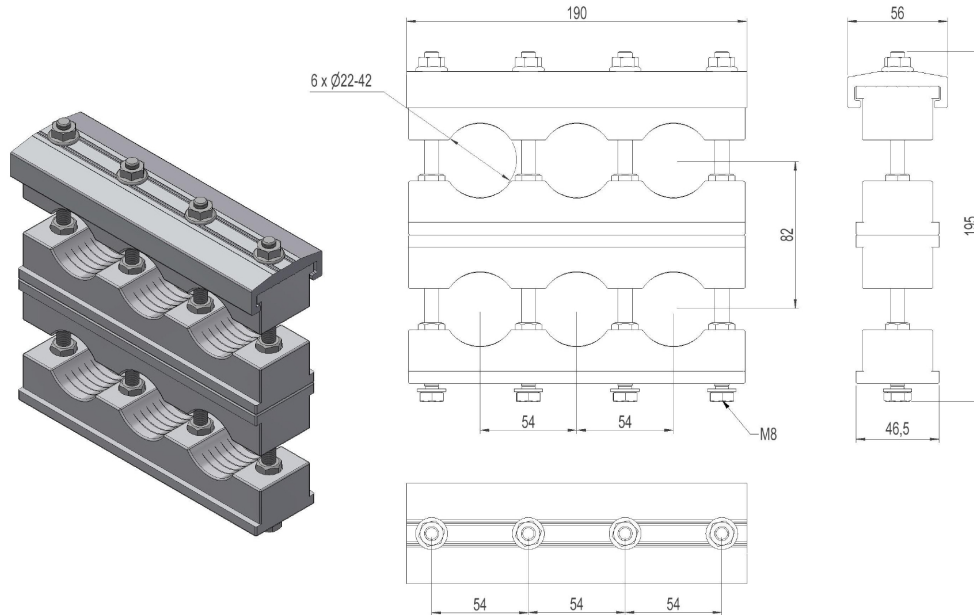


2859366 - Cable clamp KSF622



Description	Cable clamp 6-cables Ø22-42mm. Reinforced version with clamps in 2 heights. Delievered with fasteners.
Unit	PSC
Weight	1,2 kg
Material	Polyethylene
Material-2	Aluminium, anodised-brown
Number of cables	6psc
Suitable for cable diameter	Ø22-42mm
Breaking load (static)	Fy=55kN / Fx=30kN