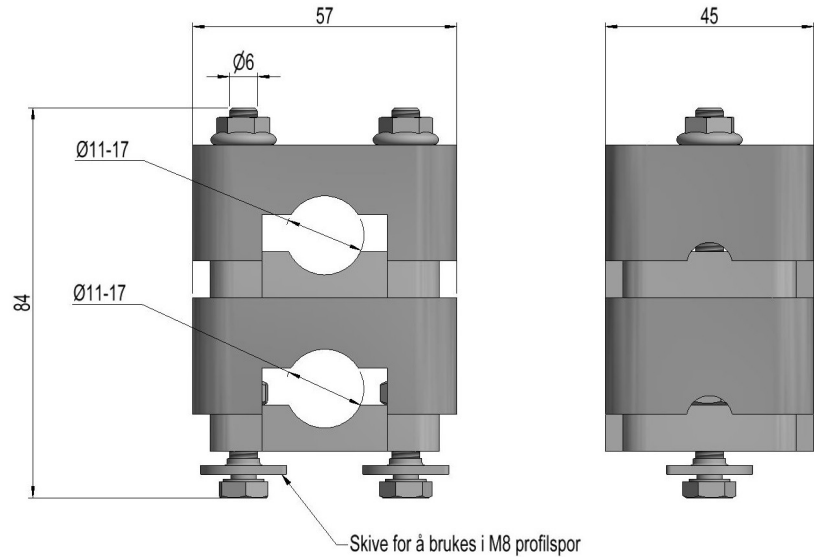
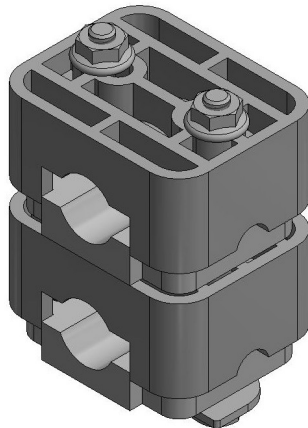


## 2859368 - Cable clamp KS111



Description	Cable clamp 2-cables Ø11-17mm. Delievered with fasteners for use in M8 and M10 profile tracks.
Unit	PSC
Weight	0,12 kg
Number of cables	2pcs