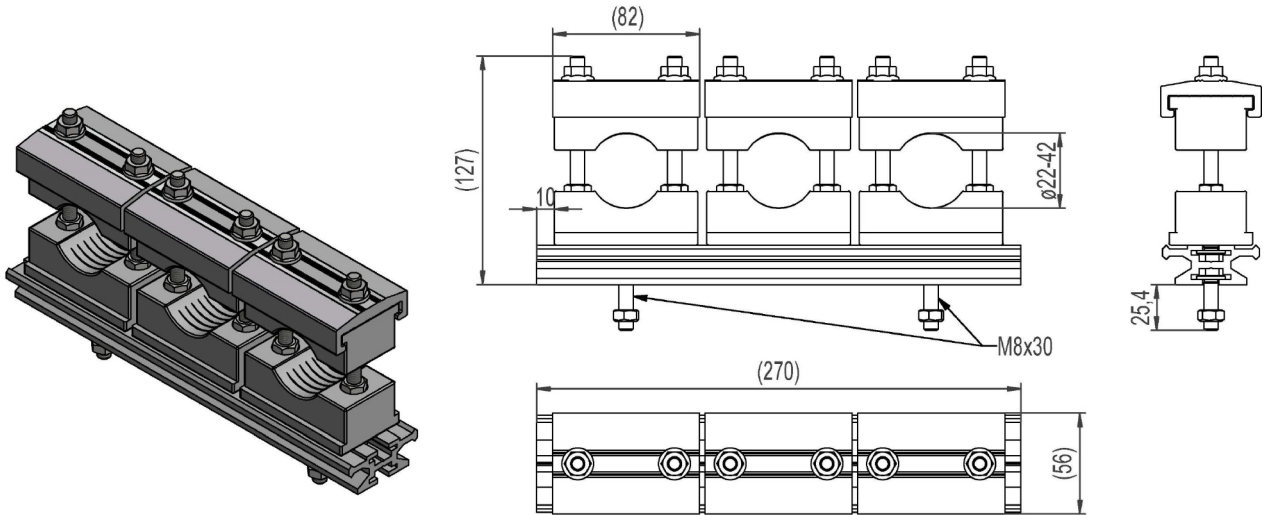


2859379 - Al-bar SKSF3122-270



Description	Aluminium bar with 3xØ22-42mm cable clamps. With M8 bolts.
Unit	PSC
Weight	1,3 kg
Material	Polyethylene
Material-2	Aluminium, anodised-brown
Number of cables	3pcs
Suitable for cable diameter	Ø22-42mm