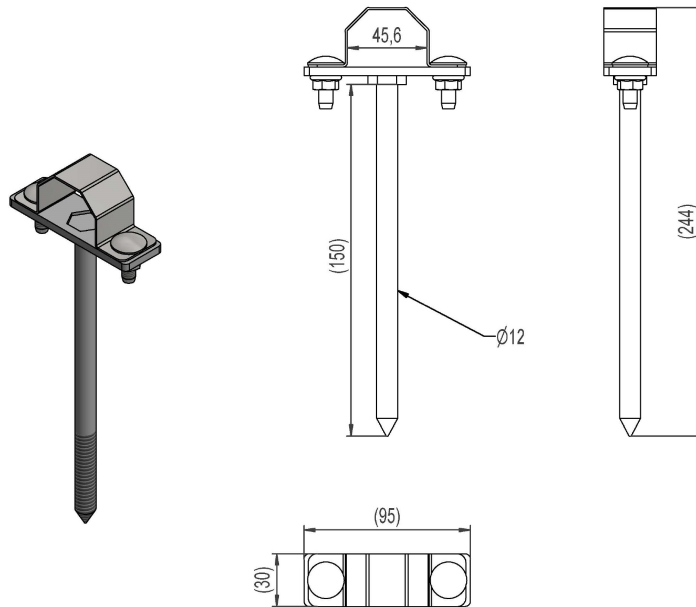


2859436 - Distance holder ABS35V



Description	Distance holder for cable duct Ø35mm. Color galvanized.
Unit	PSC
Weight	0,25 kg
Material	Steel galvanized