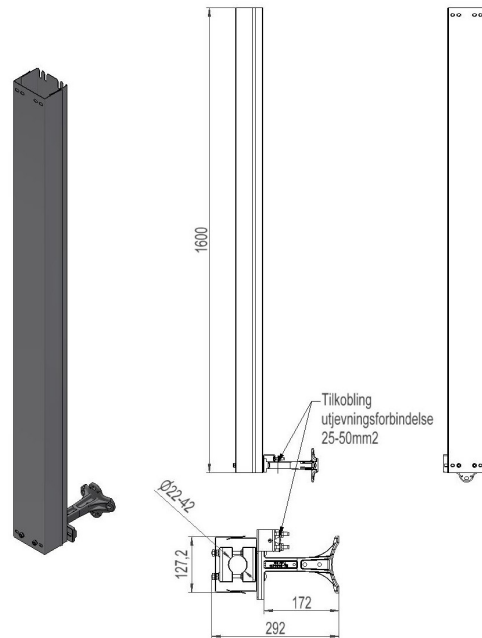


2859457 - Cable duct lengthening KN11FA-22



Description	Cable duct lengthening. 1 cable Ø22-42mm, length 1,6m. Non-magnetic backplate, recommended when using single core cable.
Unit	PSC
Weight	6,94 kg
Material	Steel galvanised/plastic-brown
Material-2	Aluminium
Fastening method	Pole
Number of cables	1psc
Suitable for cable diameter	Ø22-42mm