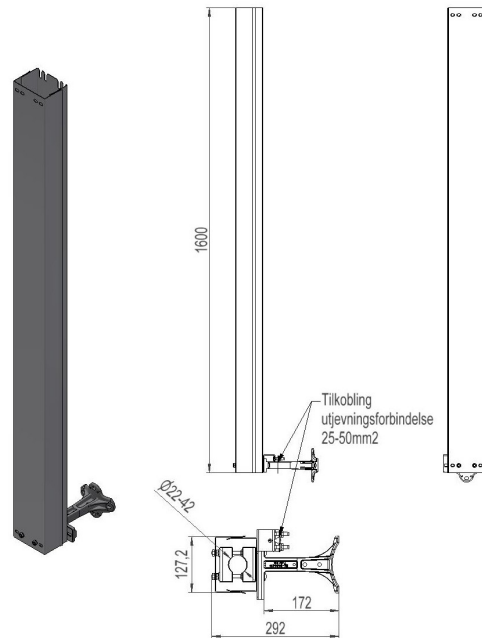


2859470 - Cable duct lengthening KN11F-22



Description	Cable duct lengthening. 1 cable Ø22-42mm, length 1,6m.
Unit	PSC
Weight	8,6 kg
Material	Steel galvanised/plastic-brown
Fastening method	Pole
Number of cables	1psc
Suitable for cable diameter	Ø22-42mm