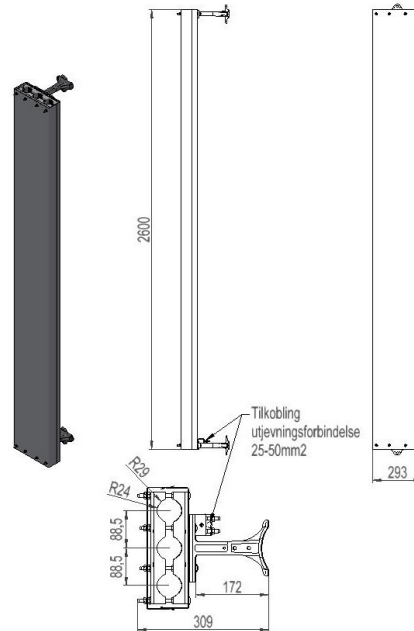


2859476 - Cable duct KN32-42



Description	Cable duct with clamps. For 3 cables \varnothing 42-60mm, length 2,6m
Unit	PSC
Weight	22,4 kg
Material	Steel galvanised/plastic-brown
Fastening method	Pole
Number of cables	3pcs
Suitable for cable diameter	\varnothing 42-60mm