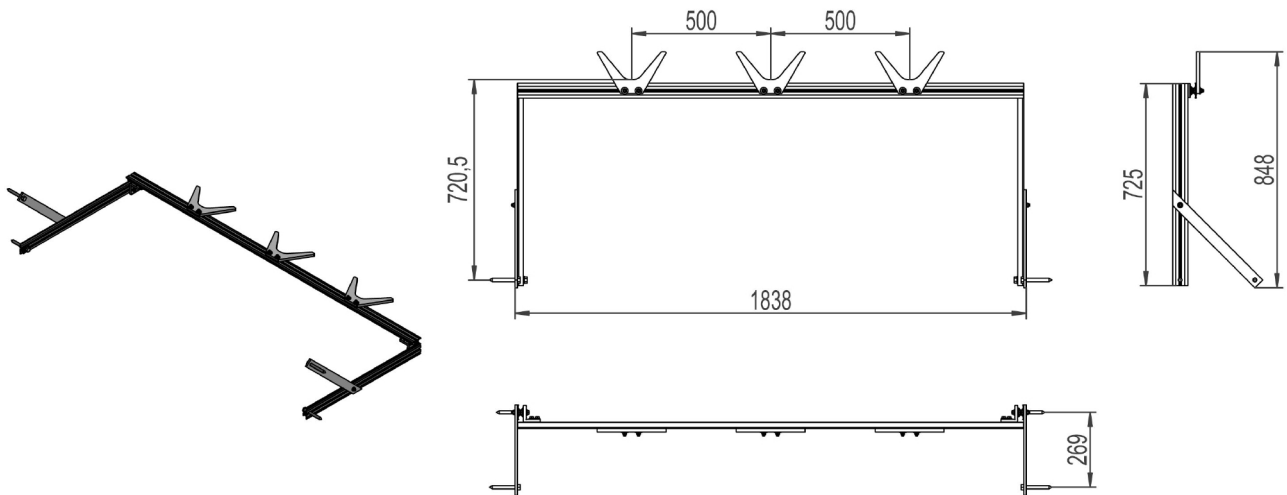


## 2859491 - Support crossbar STRB20



Description	Support crossbar for operating rod. Adjustable pole distance, max 2m. Adjustable phase distance.
Unit	PSC
Weight	4,8 kg
Material	Aluminium, anodised-brown
Pole distance	2m
Phase distance	0,5m
Pole fastening	Bolt