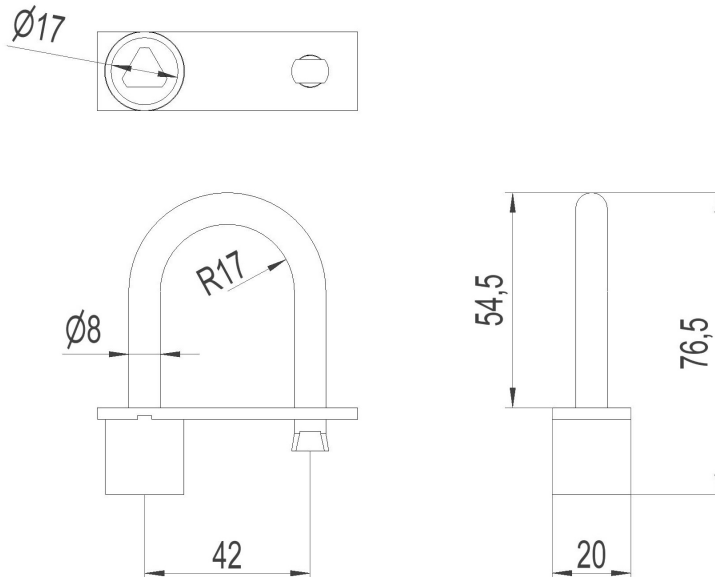


2863950 - Padlock STOP



Description	Padlock in brass material
Unit	PSC
Weight	0,12 kg
Material	Brass