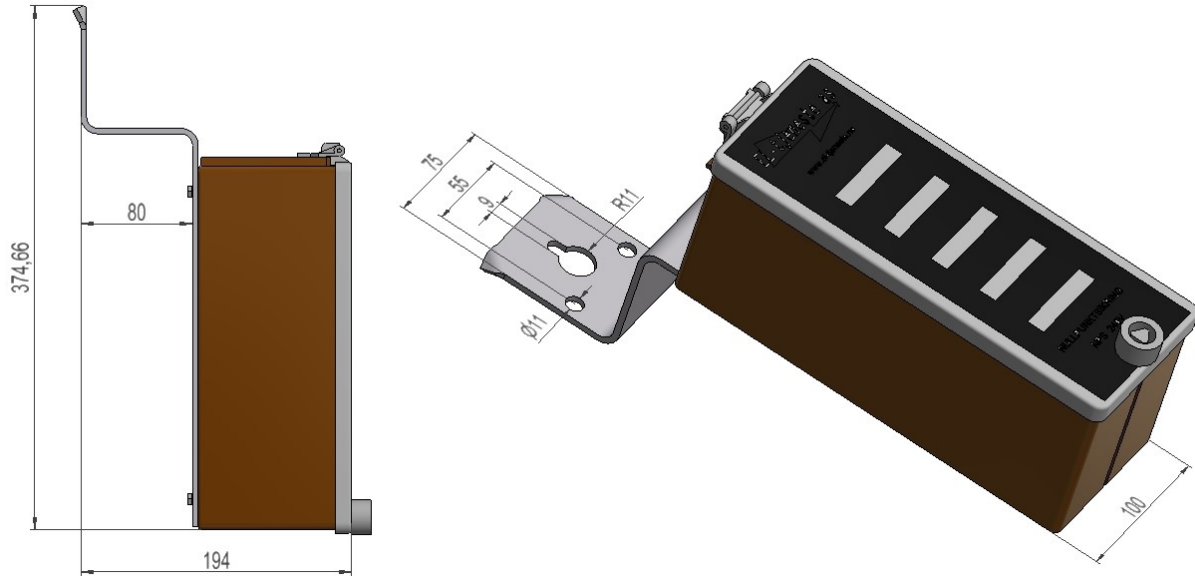


2864771 - Neutral point surge arrester NPS240S-M3K



Description	Transformer neutral point overvoltage protection for 240V IT distribution grid. With signal contact, triangular lock and mountingbracket for poles.
Unit	PSC
Weight	2,4 kg
Voltage/System configuration	230V IT
Fastening method	Pole
For cross section	<50mm ²
Type of connection	Clamp

Elektriske spesifikasjoner / Electrical specifications:

Spenning / voltage:	
Tennspenning 50Hz min/maks / <i>Spark-over voltage 50Hz min/max</i>	400 / 630 V
Slukkespenning 50Hz min/maks / <i>Quenching voltage 50Hz min/max</i>	350 / 590 V
Tennspenning 1,2/50 impuls min/maks / <i>Spark-over voltage 1,2/50 imp. min/max</i>	1130 / 1440 V
Kortslutningsstrøm / Short circuit current	
Temperaturstigning v/ 8kA i 1 sek. / <i>Temperature increase with 8kA for 1 sec.</i>	40°C
Temperaturstigning v/8kA i 2 stk. / <i>Temperature increase with 8kA for 2 sec.</i>	112°C
Maks Ik støt (én gang) / <i>Max current peak *</i>	38kA
Maks Ik termisk (én gang) / <i>Max. Short-circuit thermal *</i>	13kA / 0,3s

* Gjenbruk av komponenten kan ikke garanteres / reuse of device not guaranteed

